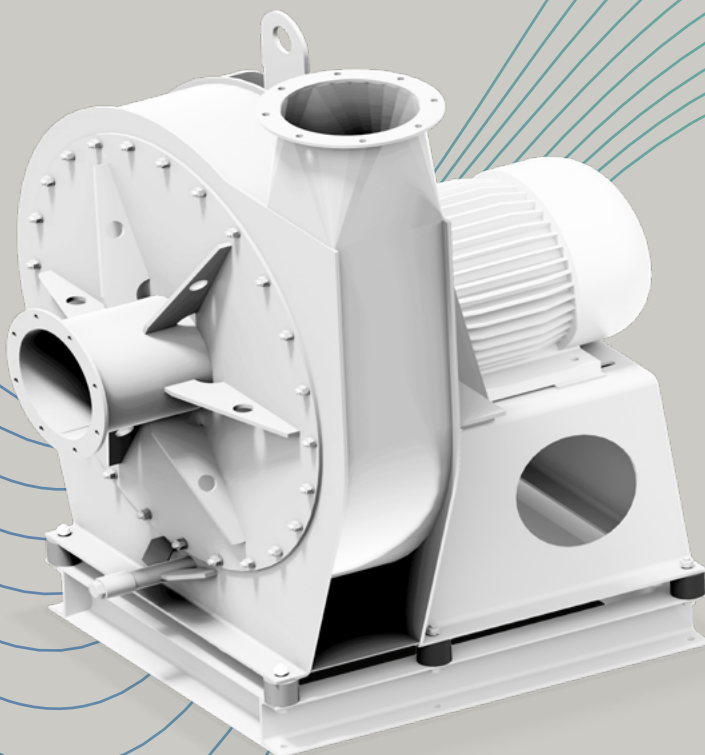




fimapro

FIMAprro

Standardized Blower Solutions



100%
BASICS
BY FIMA

Standardized solutions

FIMApr radial blowers

FIMApr radial blowers are characterized by their simplicity, serving a predetermined range of technical requirements. Suitable for a broad variety of applications including, for example, air and process gas treatment, drying technology, food production and many more. These radial blowers fulfill all basic needs when it comes to robustness and good craftsmanship.

FIMApr's product range provides standardized blowers with basic equipment. Nevertheless the blowers are in accordance with all required safety standards.

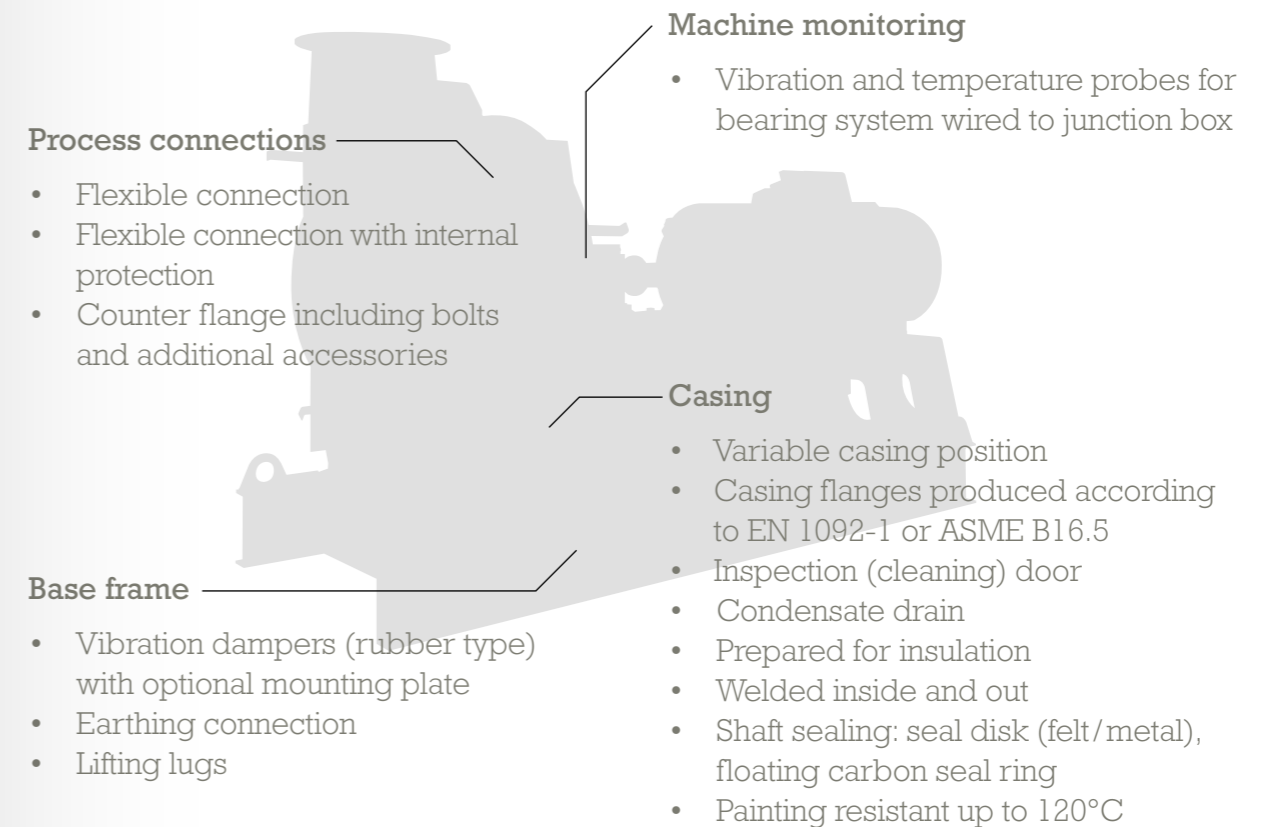
FIMApr blowers are available for a predefined performance range:

Technical data

Flow rate	[m ³ /h]	≤ 150.000
Max. system pressure	[mbarg]	≤ 500
Tip speed	[m/s]	≤ 180
Drive power	[kW]	≤ 250
Inlet temperature	[°C]	≤ 120
Impeller diameter	[m]	≤ 1,20

Special Features / Extension Features

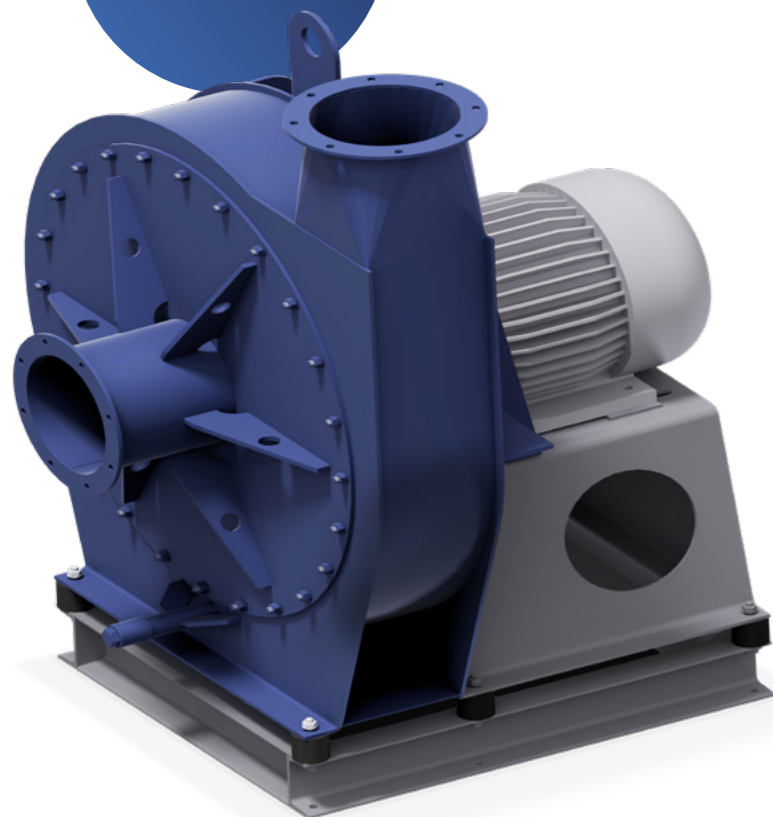
Above and beyond the standard blowers, we also offer the following customization options to meet your exact needs.



Benefits at a glance

- Cost-efficient / convenient radial blowers
- Simplified spare part procurement due to serial parts
- High-quality materials
- Increased stability / robustness through welded construction
- Higher Pressure, system pressure and efficiency possible, as compared to standard blowers from other manufacturers

100%
BASICS
BY FIMA



FIMA here. How can we help you?

FIMA Maschinenbau GmbH

Oberfischacher Straße 58
74423 Obersontheim
Germany

T. +49 7973 693-0
F. +49 7973 693-672
info@fima.de

Service hotline:

+49 171 7968741

service@serafimaint.com

FIMapro Turbo Kompresör ve Mak. San. A.Ş

Bozburun Mah. Salihaga Yolu Cd. No: 4B/3
TR - 20200 Merkezefendi / Denizli

T. +90 258 2640078